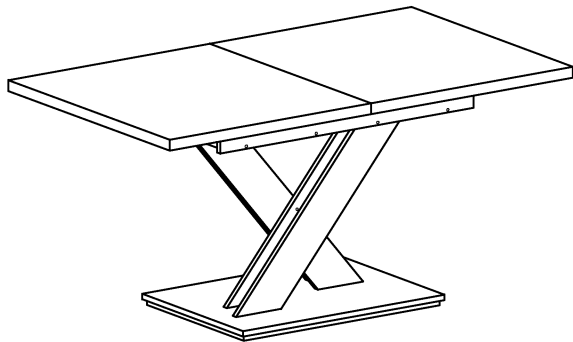
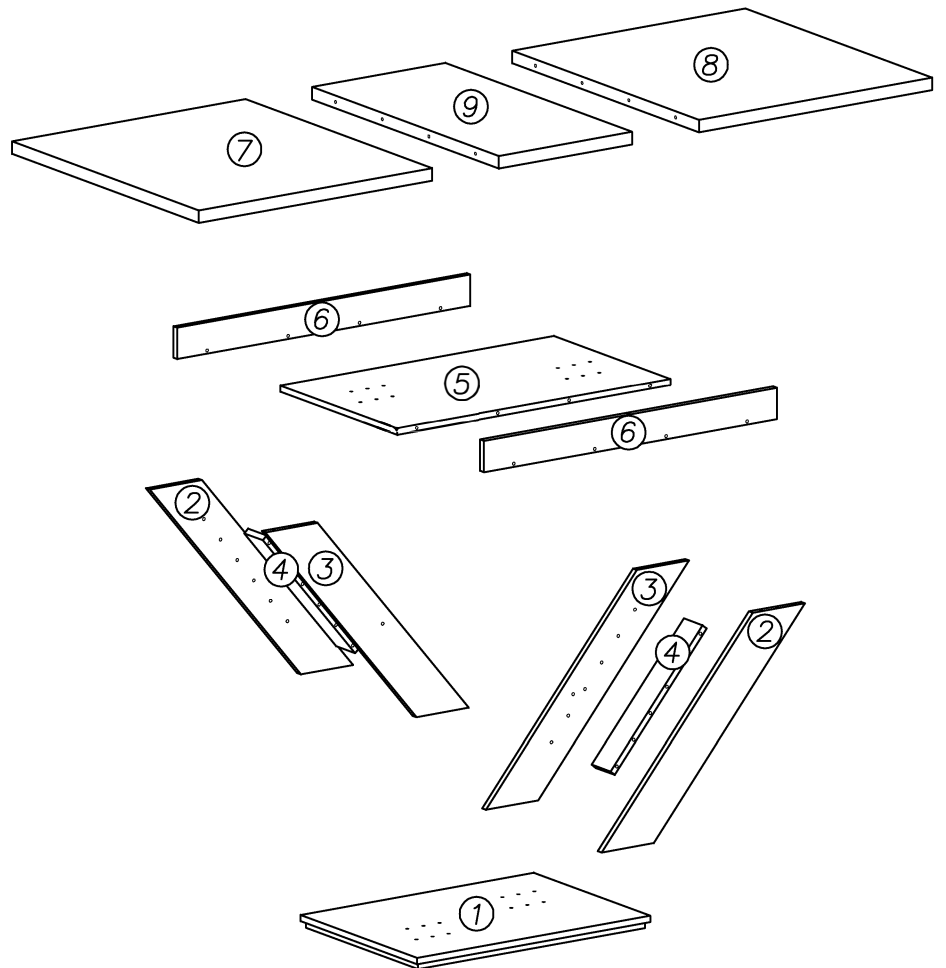





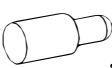
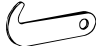





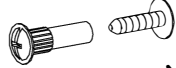
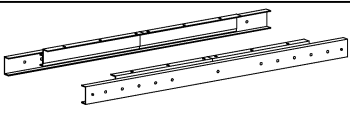

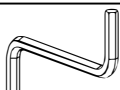
BRONX



IMPORTANT INFORMATION:

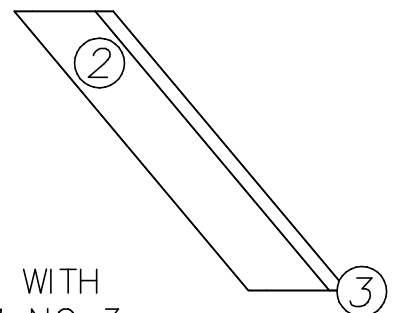
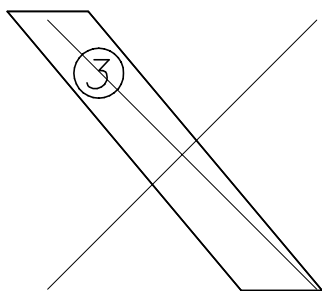
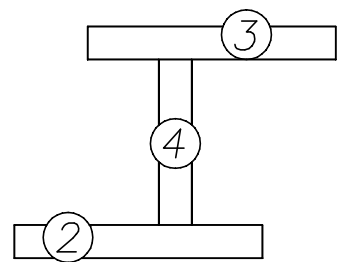
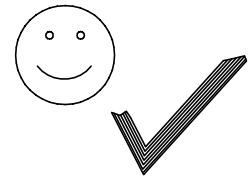
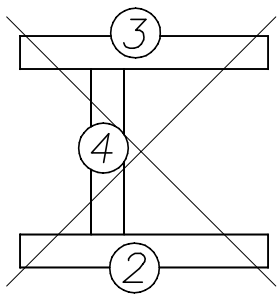
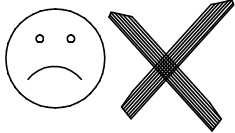
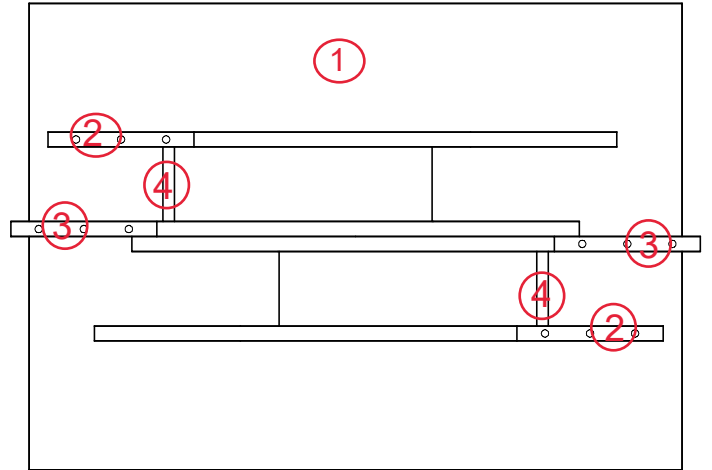
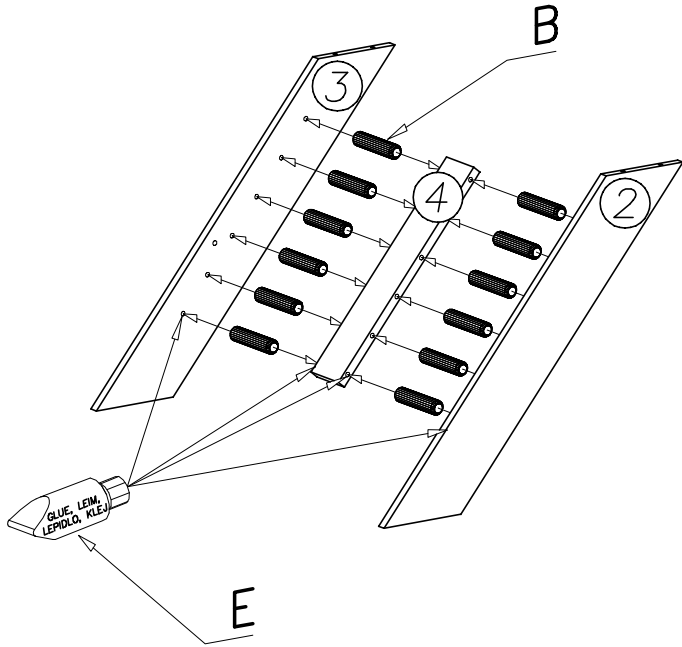
1) REMOVE THE PROTECTIVE FOIL IF THE TABLE IS IN HIGH GLOSS



L	 x2	M	 7 x 50 x20	N	 x20
G	 x10	H	 x4	I	 4 x 15 x8
A	 7 x 70 x12	B	 8 x 30 x24	J	 6,3 x 13 x30
C	 x4	D	 x1	K	 x1
E	 GLUE, LEIM, LEPIDLO, LIM x1	F	 x1		

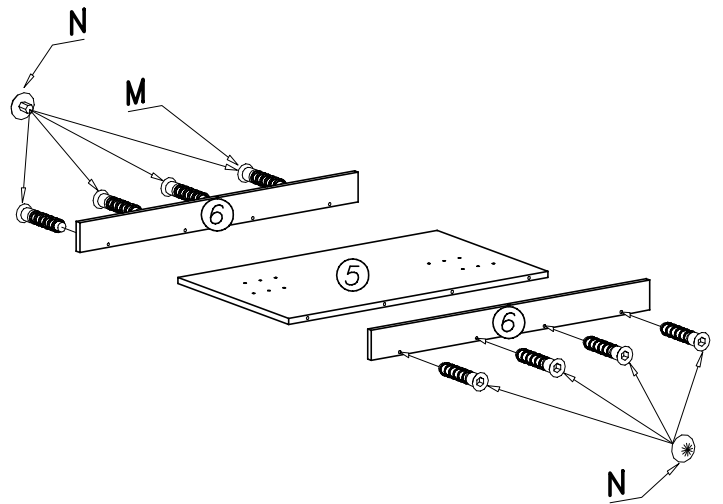
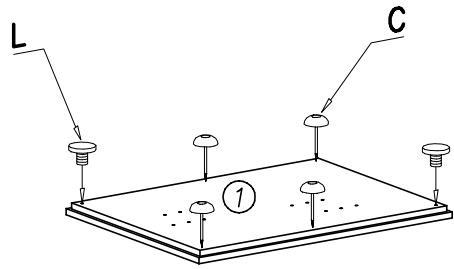
1

x2



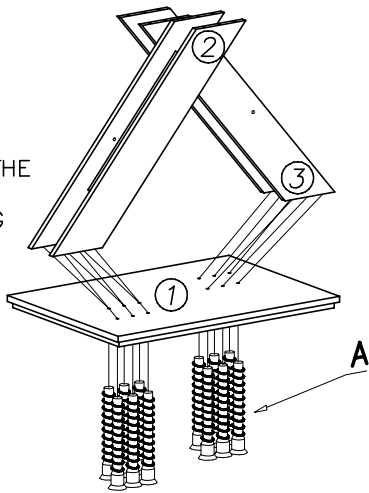
ASSEMBLE ITEM NO 2 WITH
DISPLACEMENT TO ITEM NO 3

II

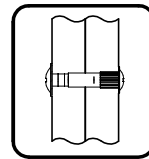


III

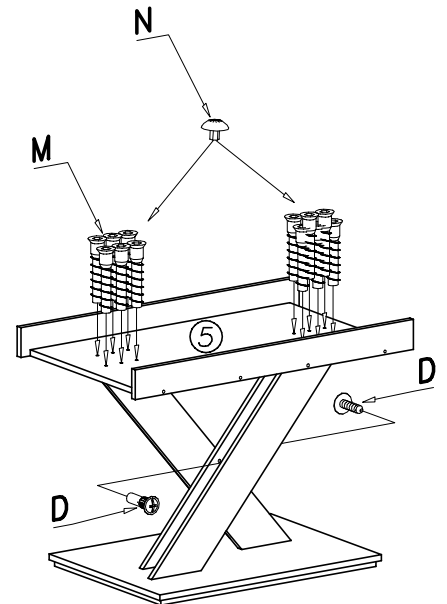
LOOSELY INSTALL THE
SCREWS AND
WASHERS SECURING
THE LEGS TO THE
TABLE BASE



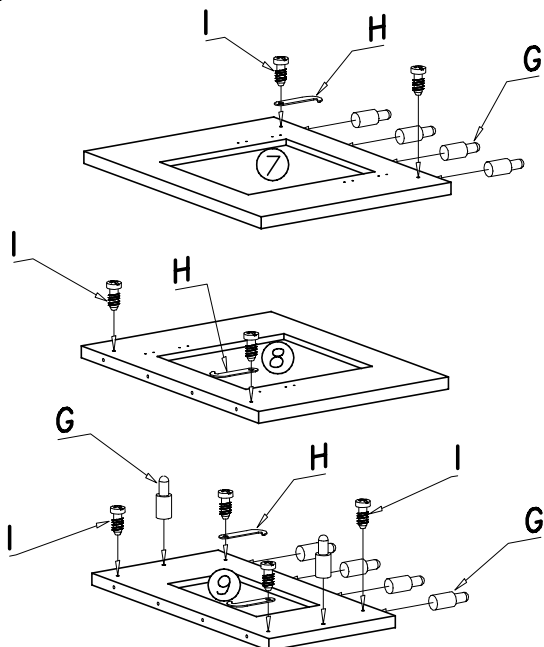
IV



LOOSELY INSTALL THE
SCREWS AND
WASHERS SECURING
THE LEGS TO THE
TABLE TOP

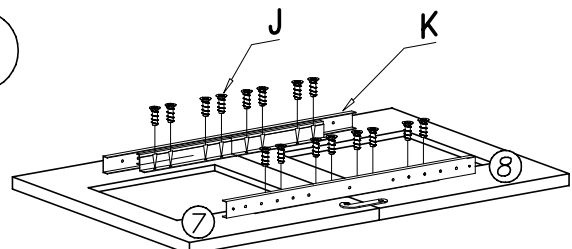


V

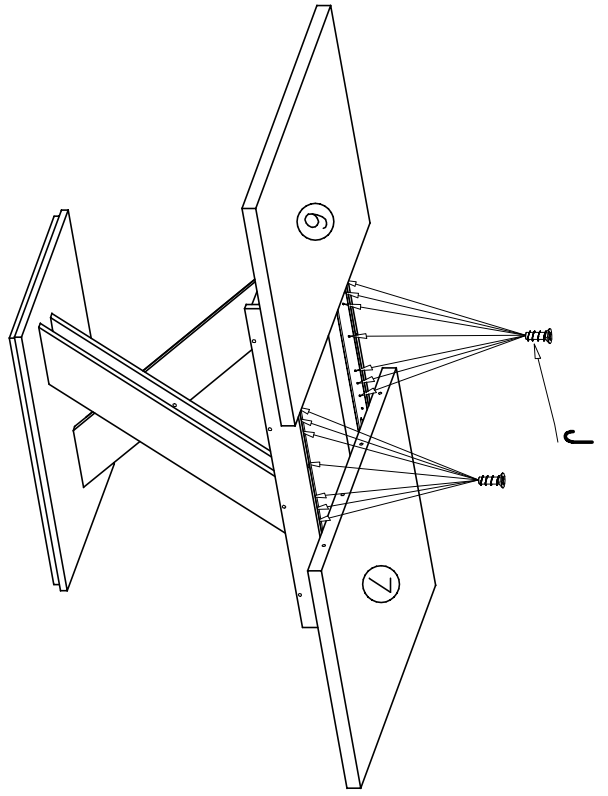


AFTER THIS STEP TIGHTEN ALL SCREWS

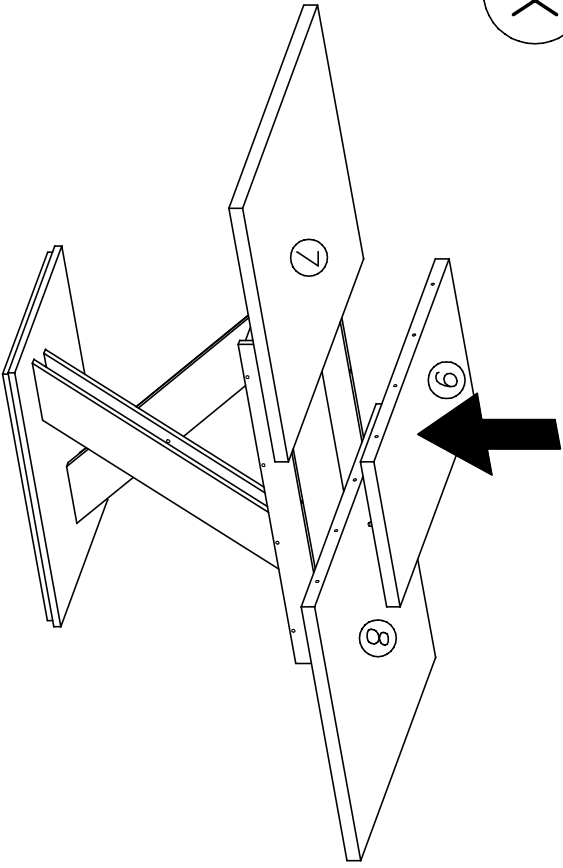
VI



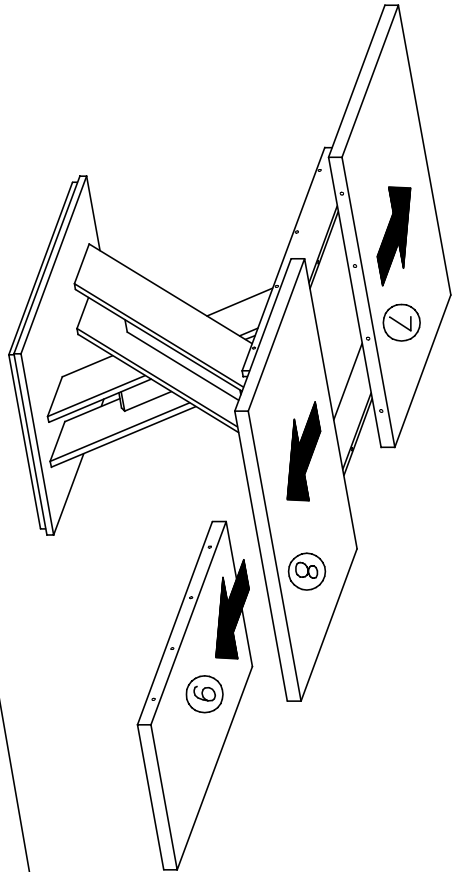
VII



IX



VIII



X

